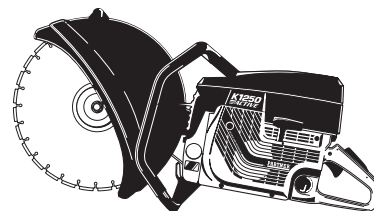


# ***PARTNER***



IPL, K 1250 Active, K 1250 RAIL, 2002-10, 106 24 94-64

***K 1250 Active***  
***K 1250 RAIL***

***Reservdelar***

***Spare parts***

***Ersatzteile***

***Pieces de rechange***

***Piezas de repuesto***

***Ricambi***

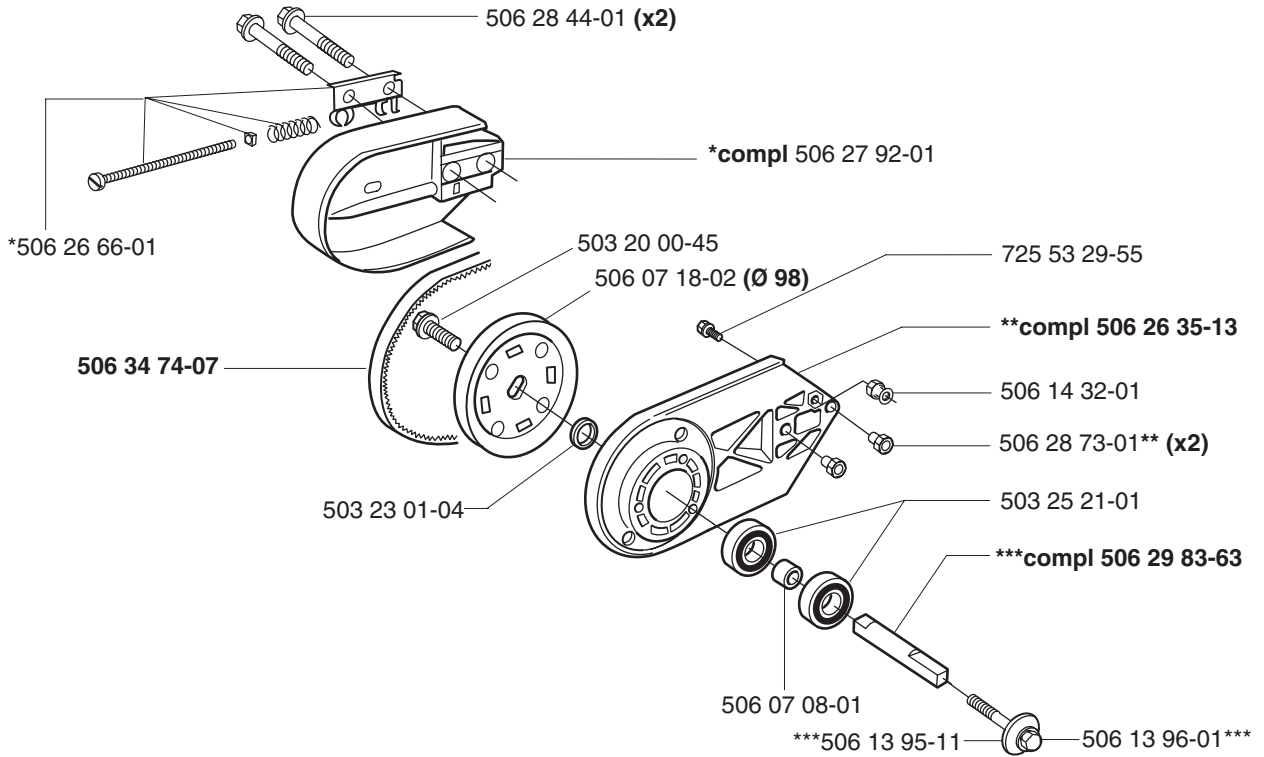
***Peças***  
***sobresselente***

106 24 94-64

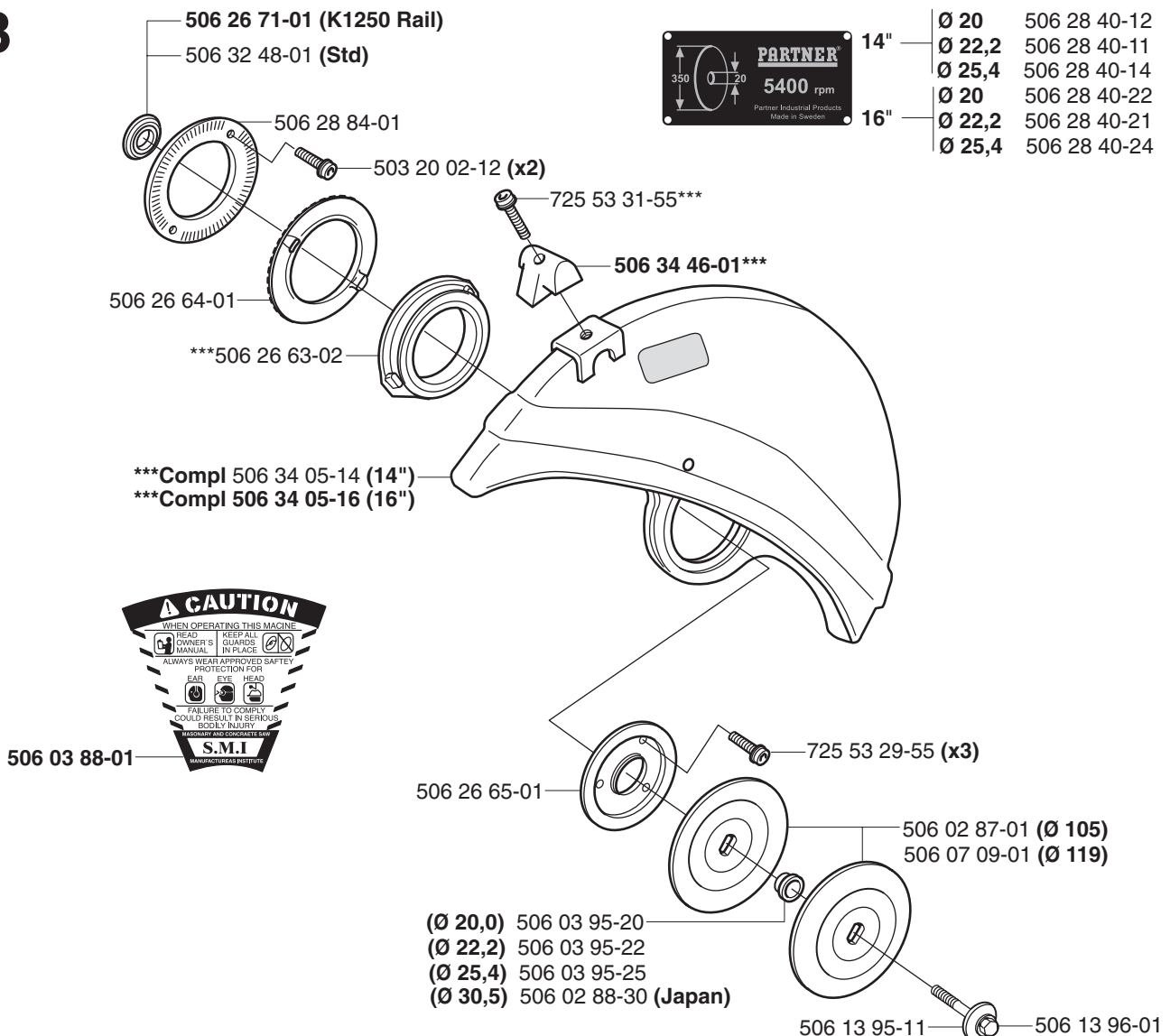
---

# ***PARTNER***<sup>®</sup>

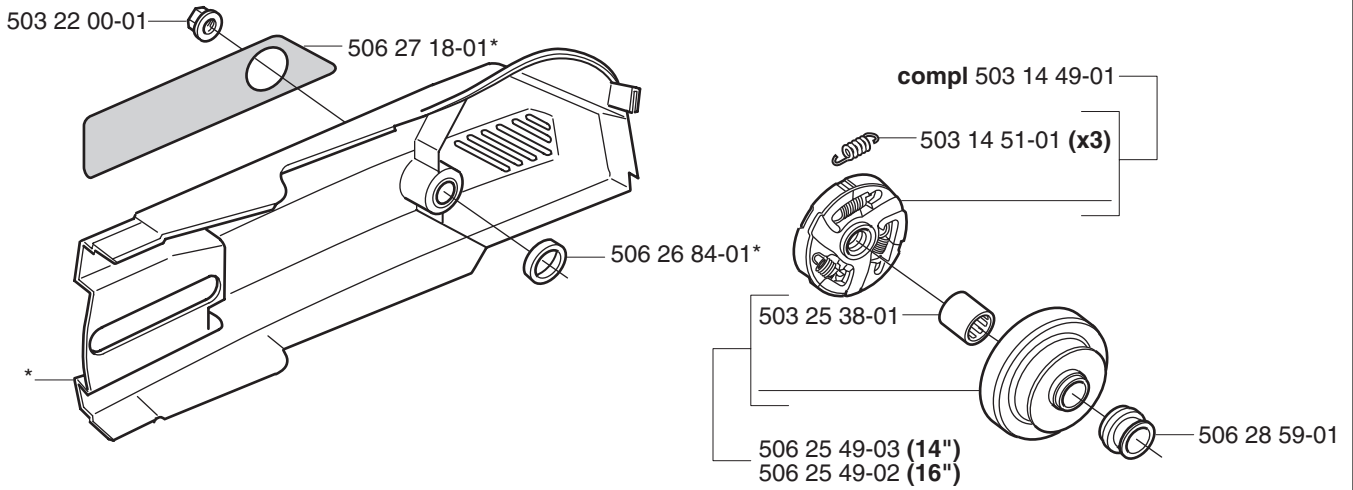
# A



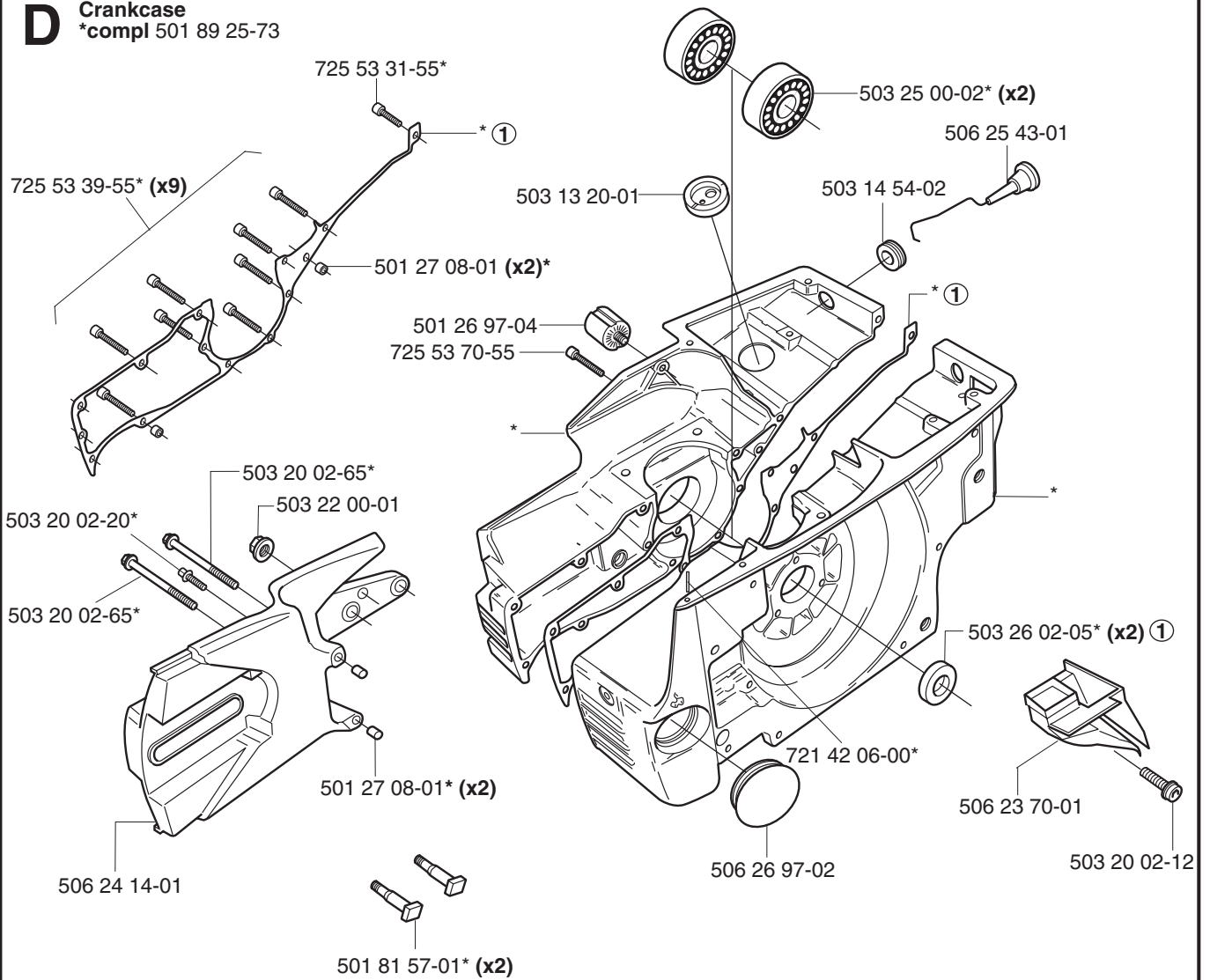
# B



**C** \*compl 506 27 17-01

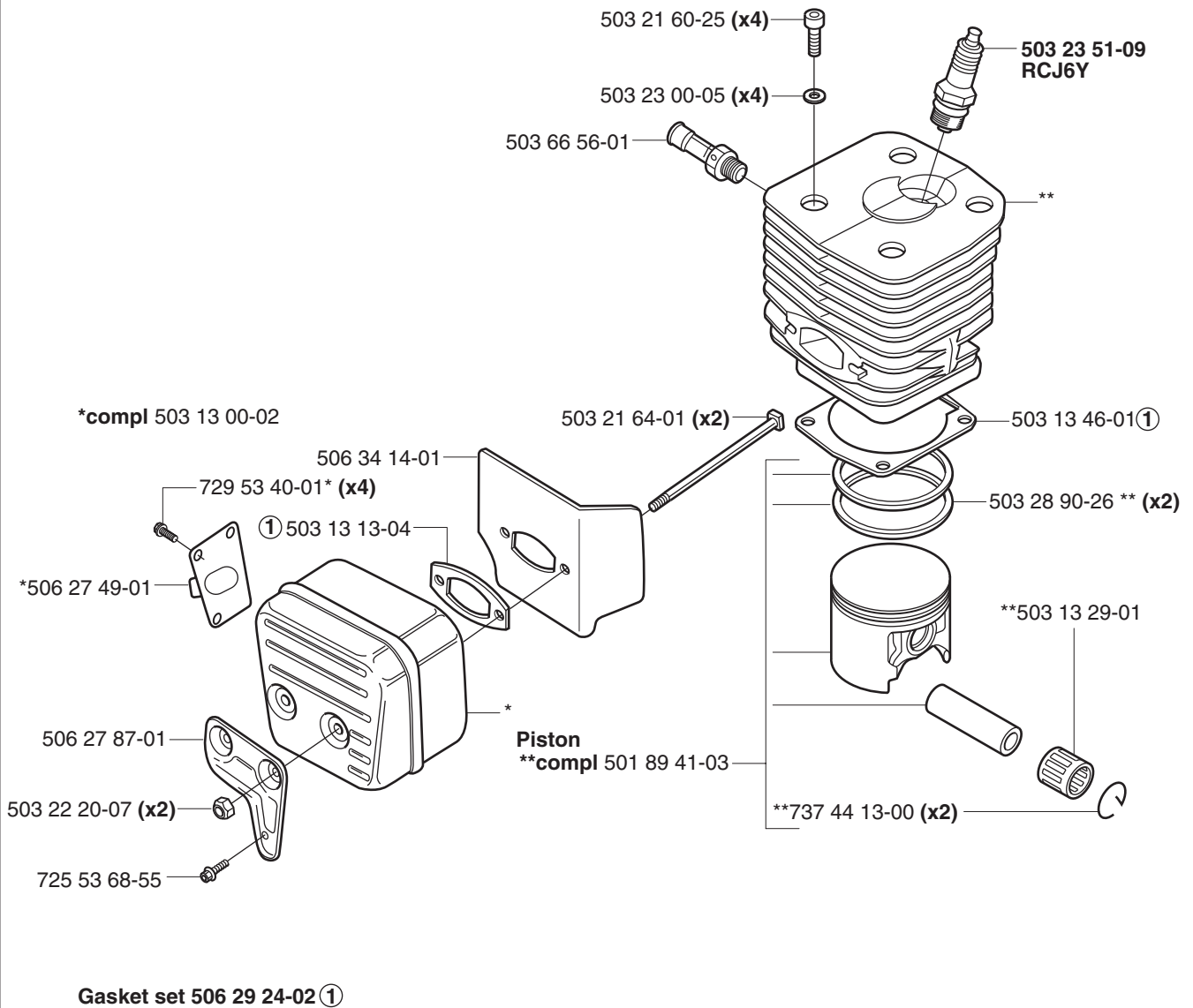


**D** Crankcase  
\*compl 501 89 25-73

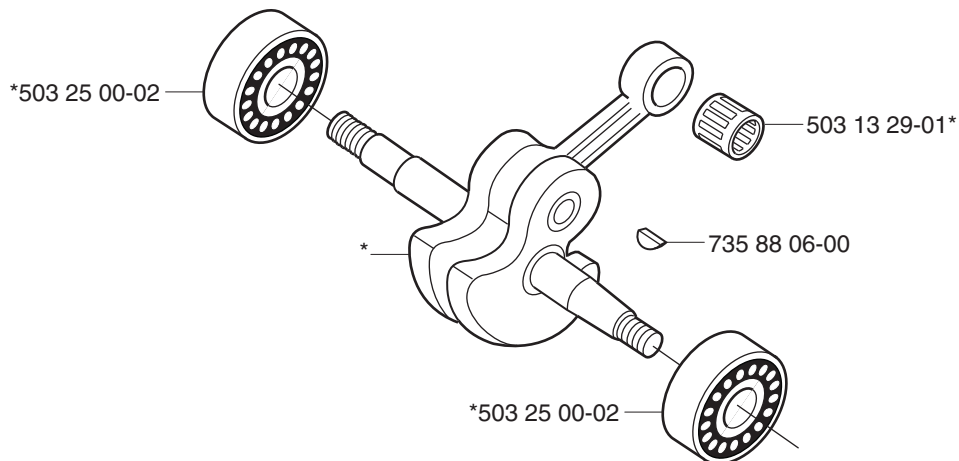


① Gasket set 506 29 24-02

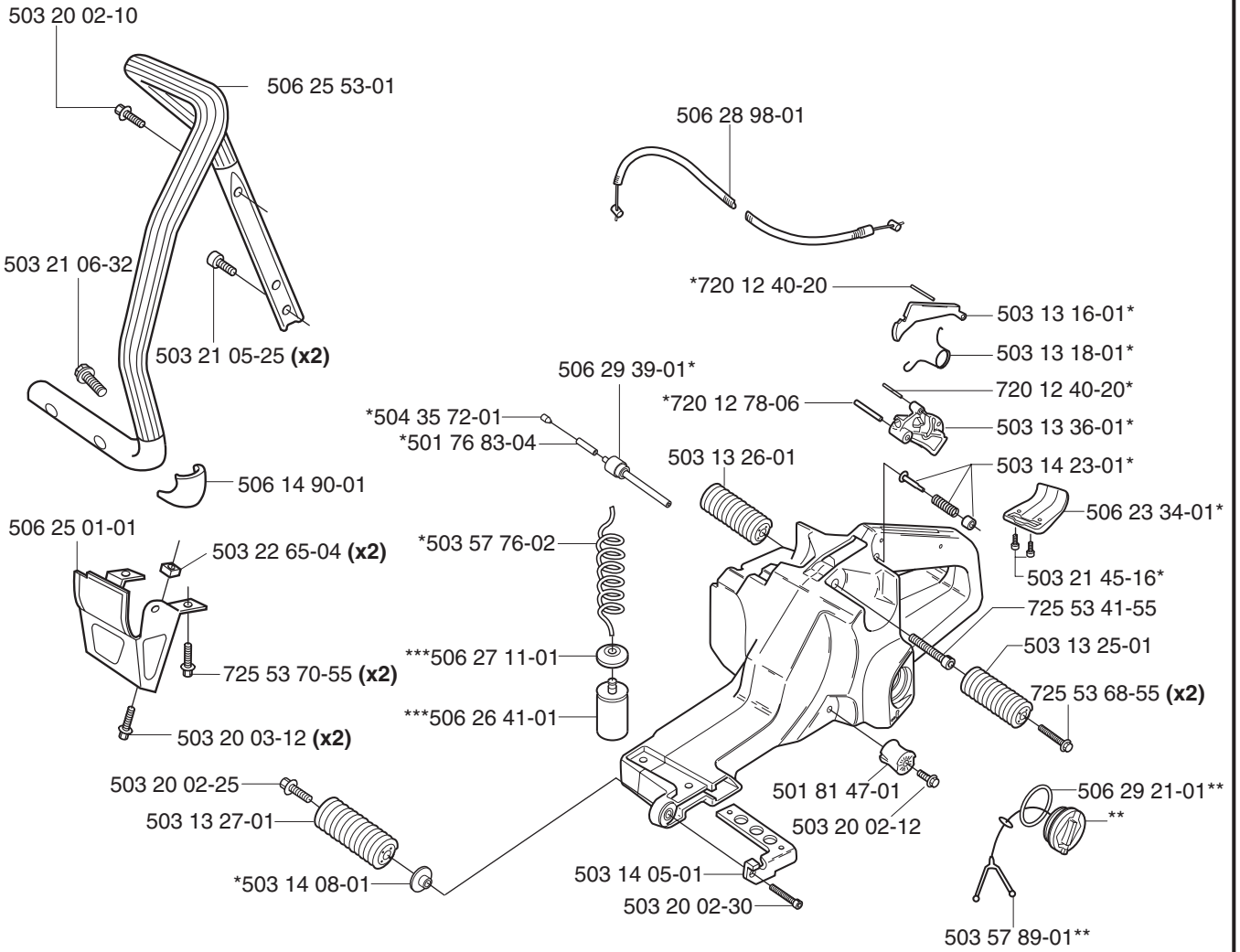
**E** Cylinder  
**\*\*compl** 506 29 42-71



**F** \*compl 503 14 20-73



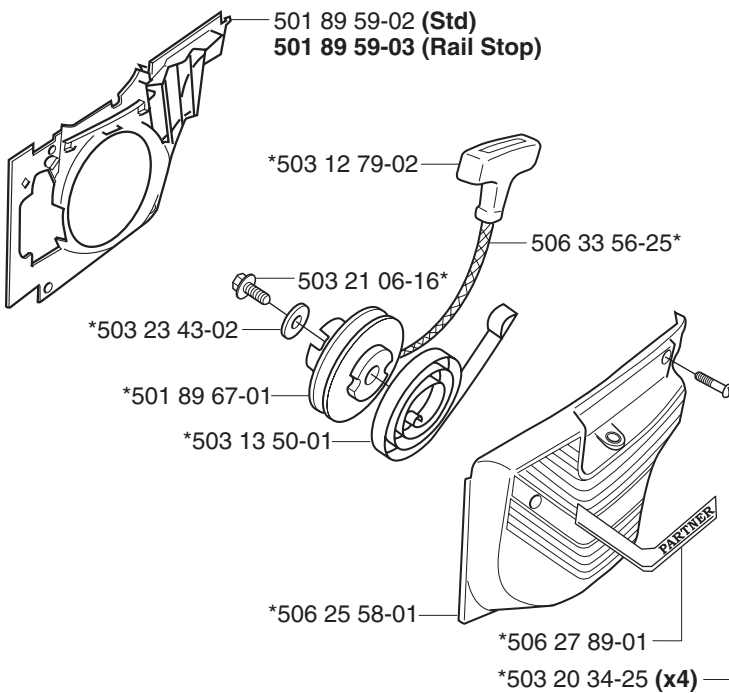
**G** Tank unit  
\*compl 503 14 21-07



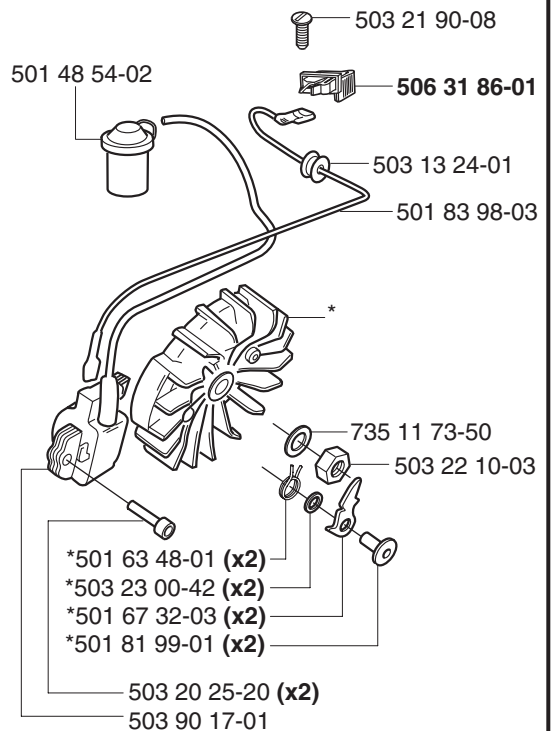
\*\*\* compl 506 26 41-11

\*\*compl 506 25 59-32

**H** Starter  
\*compl 506 27 55-01



**J** Flywheel  
\*compl 501 89 50-03



# K



506 27 84-22  
CE



506 27 84-21  
EPA USA  
EPA Canada

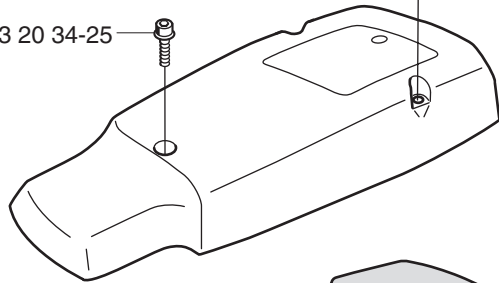


506 32 21-02

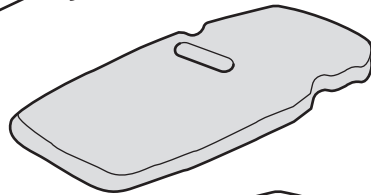


503 20 34-55 (x2)

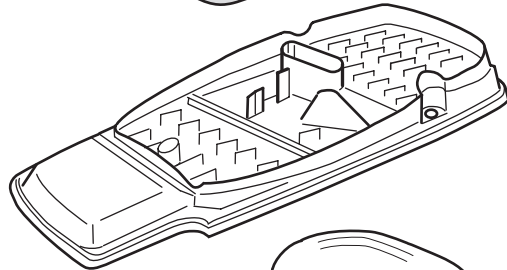
503 20 34-25



506 25 56-01

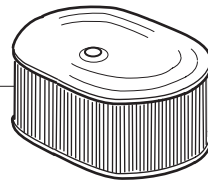


506 26 87-01



506 25 57-01

506 23 18-01



\*506 28 39-30

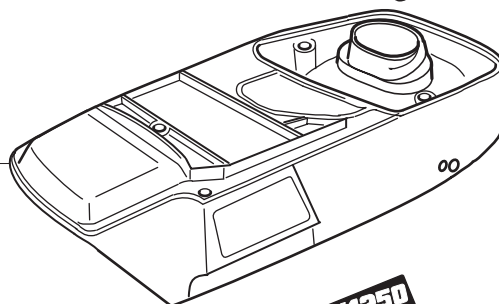


503 20 02-30 (x4)



506 25 03-01

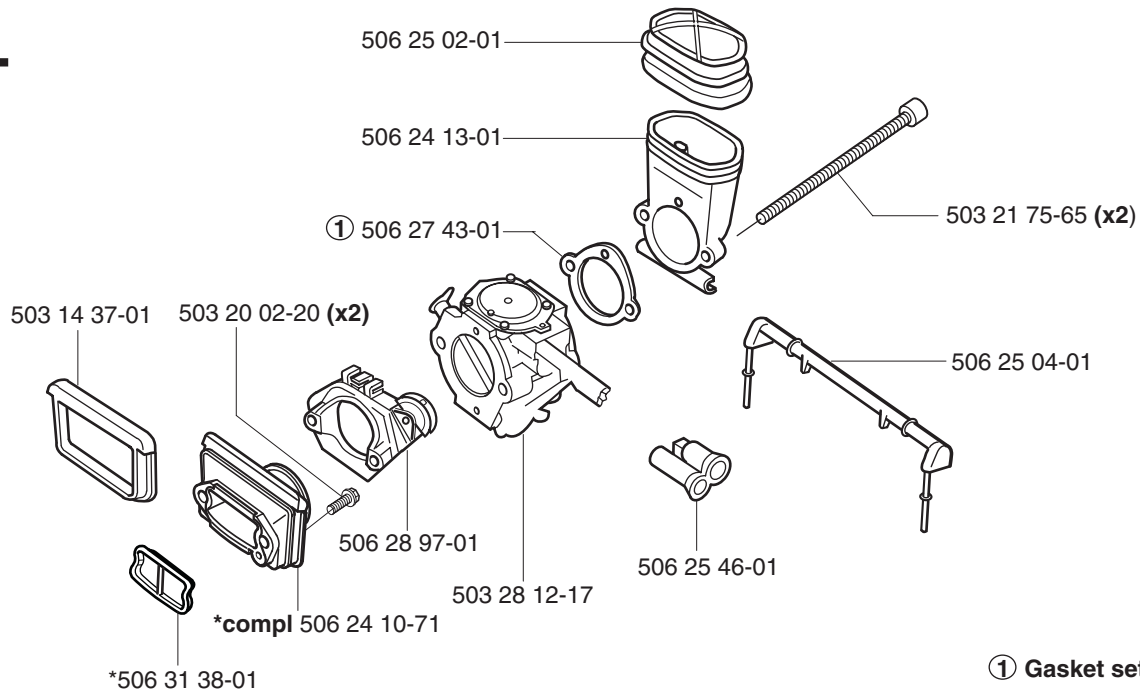
\*compl 506 27 54-01



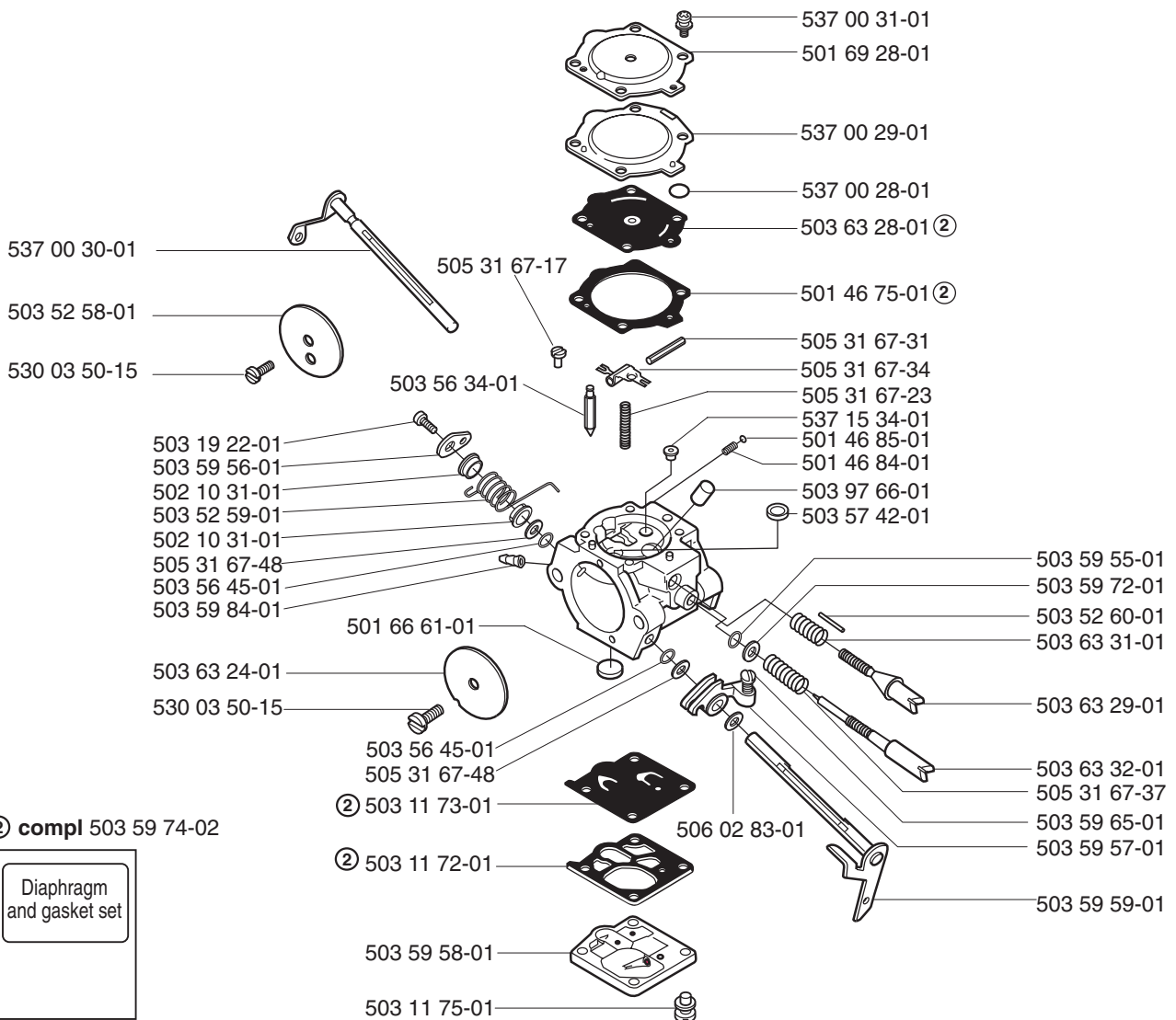
506 27 91-01\*



506 27 90-01\*

**L**

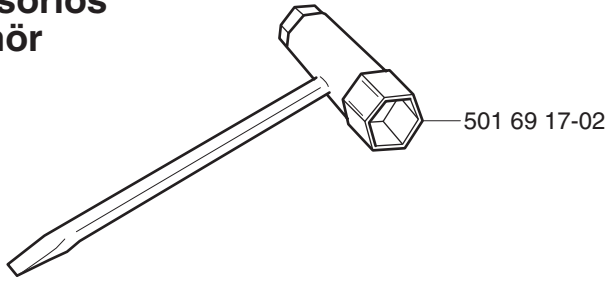
① Gasket set 506 29 24-02

**M** Carburettor  
compl 503 28 12-17 Walbro WG 9

② compl 503 59 74-02

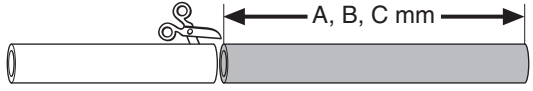
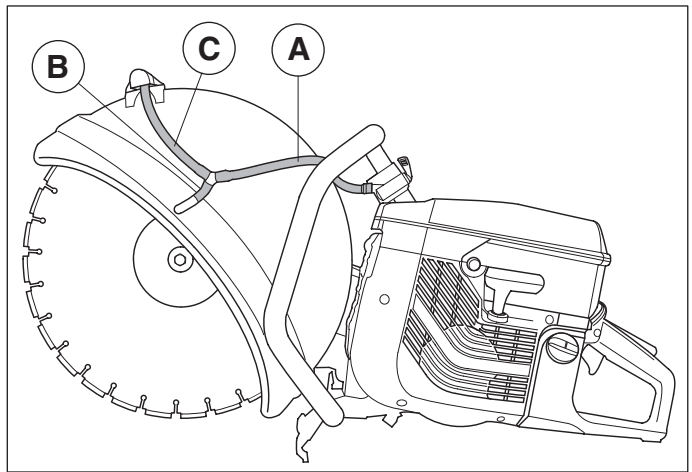
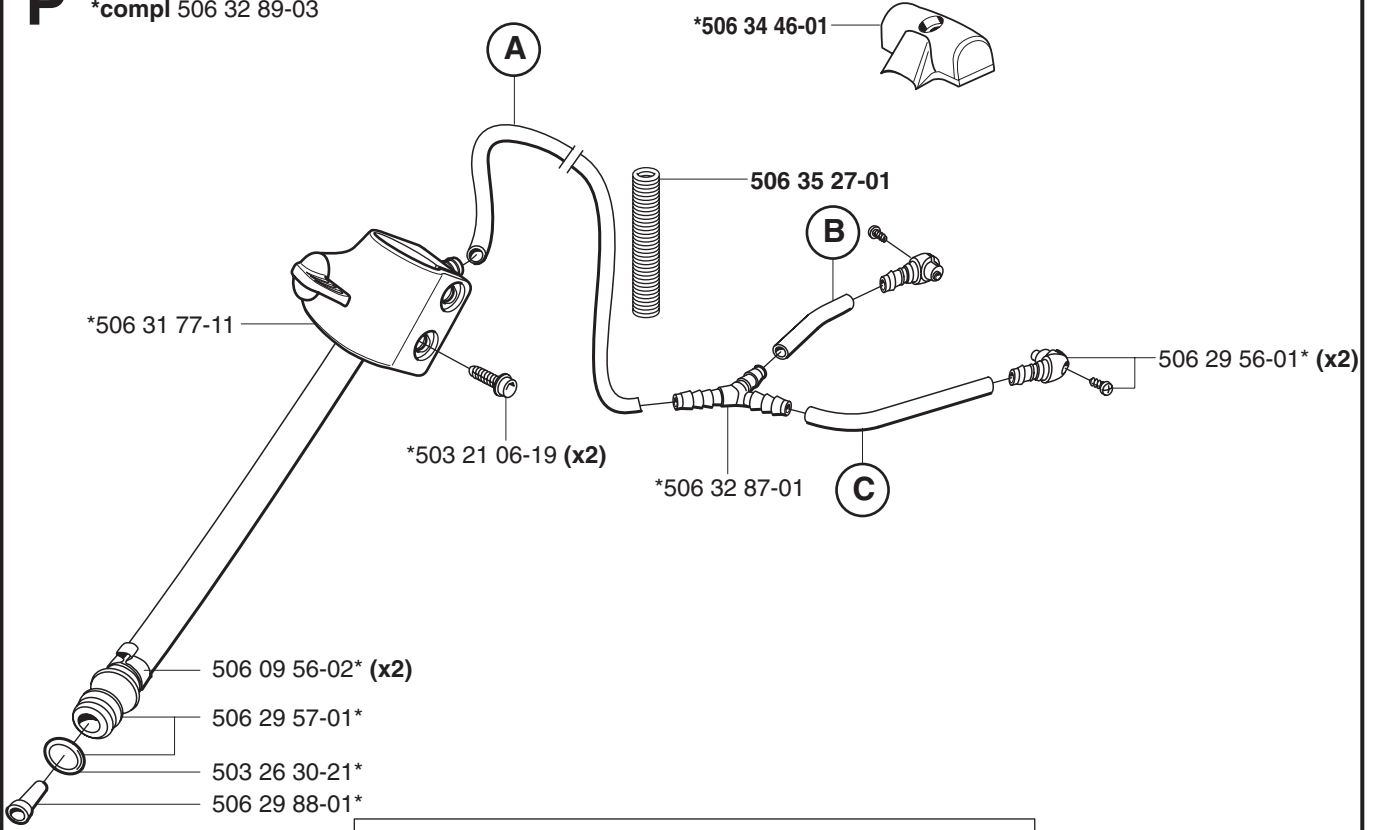
Diaphragm  
and gasket set

**N** Accessories  
 Zubehöre  
 Accessoires  
 Accesorios  
 Tillbehör



506 29 24-02 ①

**P** Wet cutting kit  
 \*compl 506 32 89-03



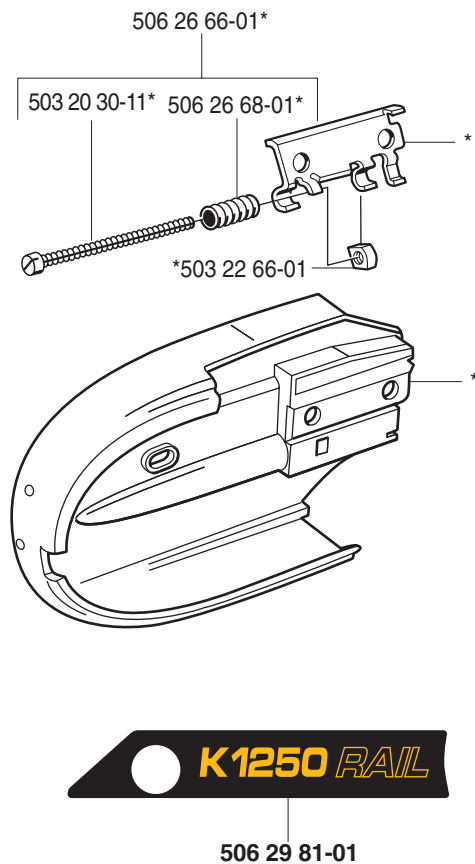
Product	A (mm)	B (mm)	C (mm)
K1250A 14"	280	45	280
16"	270	45	360



# Q K1250 RAIL

\*compl 506 27 92-31 14"

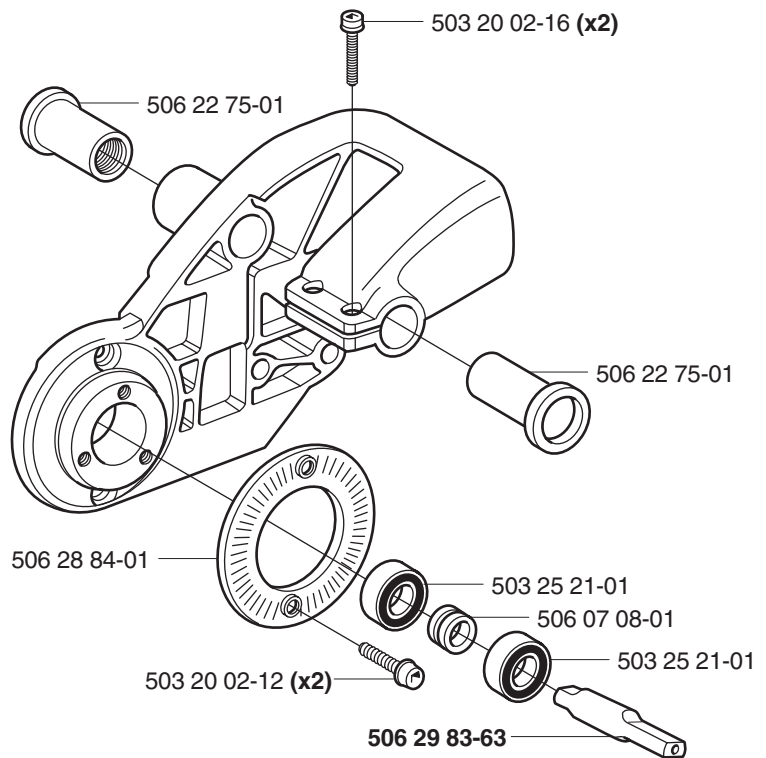
\*compl 506 27 92-38 16"



# Q K1250 RAIL

compl 506 26 70-31 14"

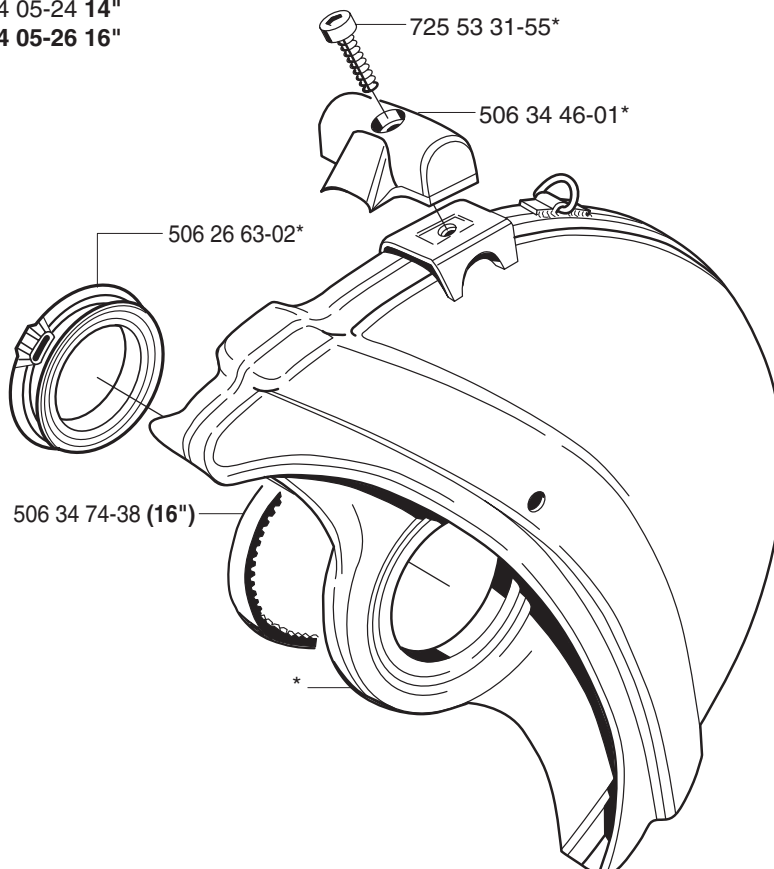
compl 506 26 70-38 16"



# Q K1250 RAIL

\*compl 506 34 05-24 14"

\*compl 506 34 05-26 16"



# R K1250 RAIL

Cut-out switch system, 14"/350mm, 16"/400mm.

